



564 Electric Surround Panel Installation Instructions (8" x 8" 96100297)

Packing List

- Left Side Panel
- Right Side Panel
- Top Panel

Compatibility Notes

The following faces are compatible with these surround panels. Some faces have a forward offset (gap between the face and surround panels) as noted below.

Face	Forward Offset
Trim, Independence	Flush (0")
Trim, Forest Grove	Flush (0")
Trim, 564E	Flush (0")
FPX Arched Faces	5/16"
FPX Metropolitan Faces	Flush (0")

Face	Forward Offset
FPX Architectural Dbl Door	Flush (0")
Victorian Lace Face	Flush (0")
Wilmington Faces	3/16"
Independence Face	Flush (0")

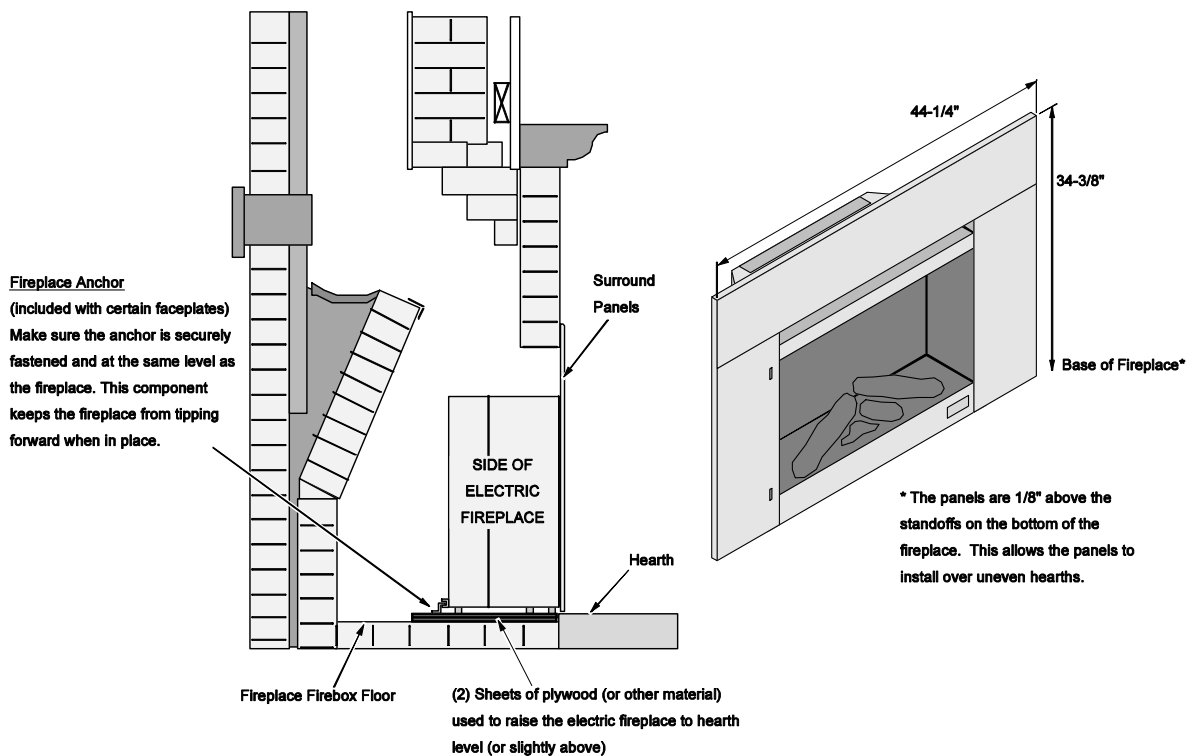
The following faces are **not** compatible with this panel set:

- Bungalow Face
- Tree of Life Face
- Matrix Face

Installation Preparation and Sizing

These surround panels are used with the 564 Electric fireplace when it is installed into an existing masonry or metal (zero-clearance) fireplace. Before installing the fireplace, thoroughly clean the interior of the fireplace. We recommend painting the fireplace interior with latex paint to prevent odors from the fireplace from transferring into the room from the blower inside the electric fireplace.

Fireplaces typically have a firebox floor that is recessed below the hearth (see illustration below). In these fireplaces install a sheet of plywood or other suitable material on the firebox floor to raise it to a level that is equal to, or slightly (1/8" or less) above the hearth. This allows the fireplace to remain level while it is slid into position.

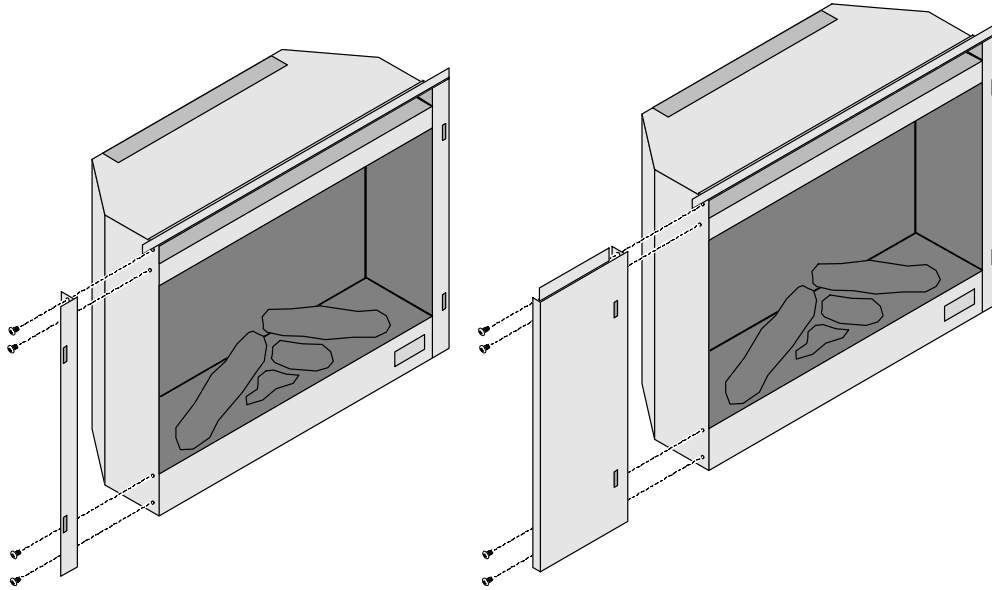




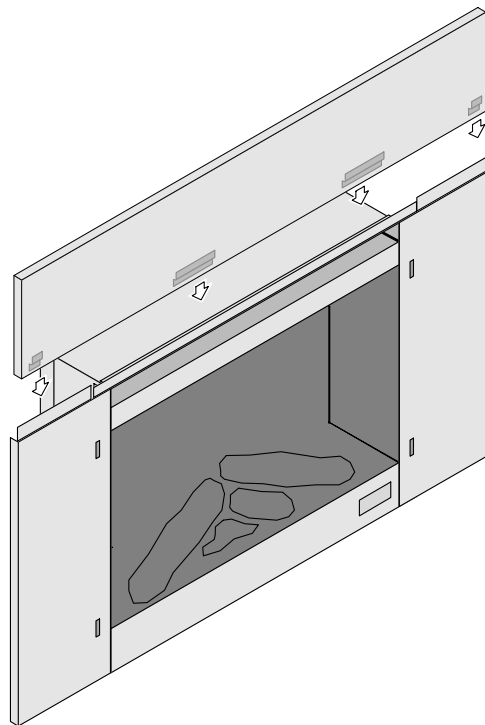
564 Electric Surround Panel Installation Instructions (8" x 8" 96100297)

Installation

- 1 Remove the left side bracket on the fireplace and replace it with the left side panel (see illustration below). Repeat this process for the right side panel.



- 2 The top panel has joggles on the back of the panel that slide over the flanges on the fireplace and panels (see illustration below). Attach the top panel, making sure the ends are square with the side panels.



- 3 Slide the fireplace into position. The side panels have an angled snipe at each bottom corner to allow the power cord to exit the side panels.